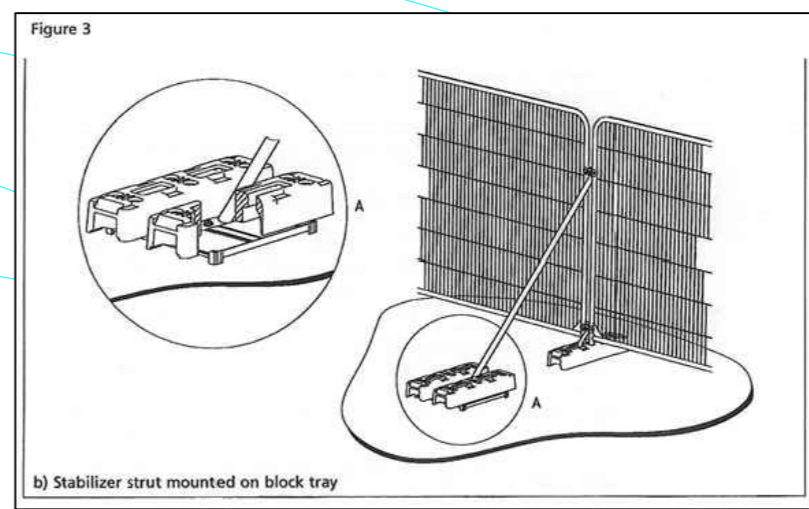


This drawing has been prepared in accordance with BS 5837:2012.

This drawing is intended to be printed and used in colour only, and for no purpose other than the consideration of trees in accordance with BS 5837.



Tree Protection fencing as per Figure 3(b)

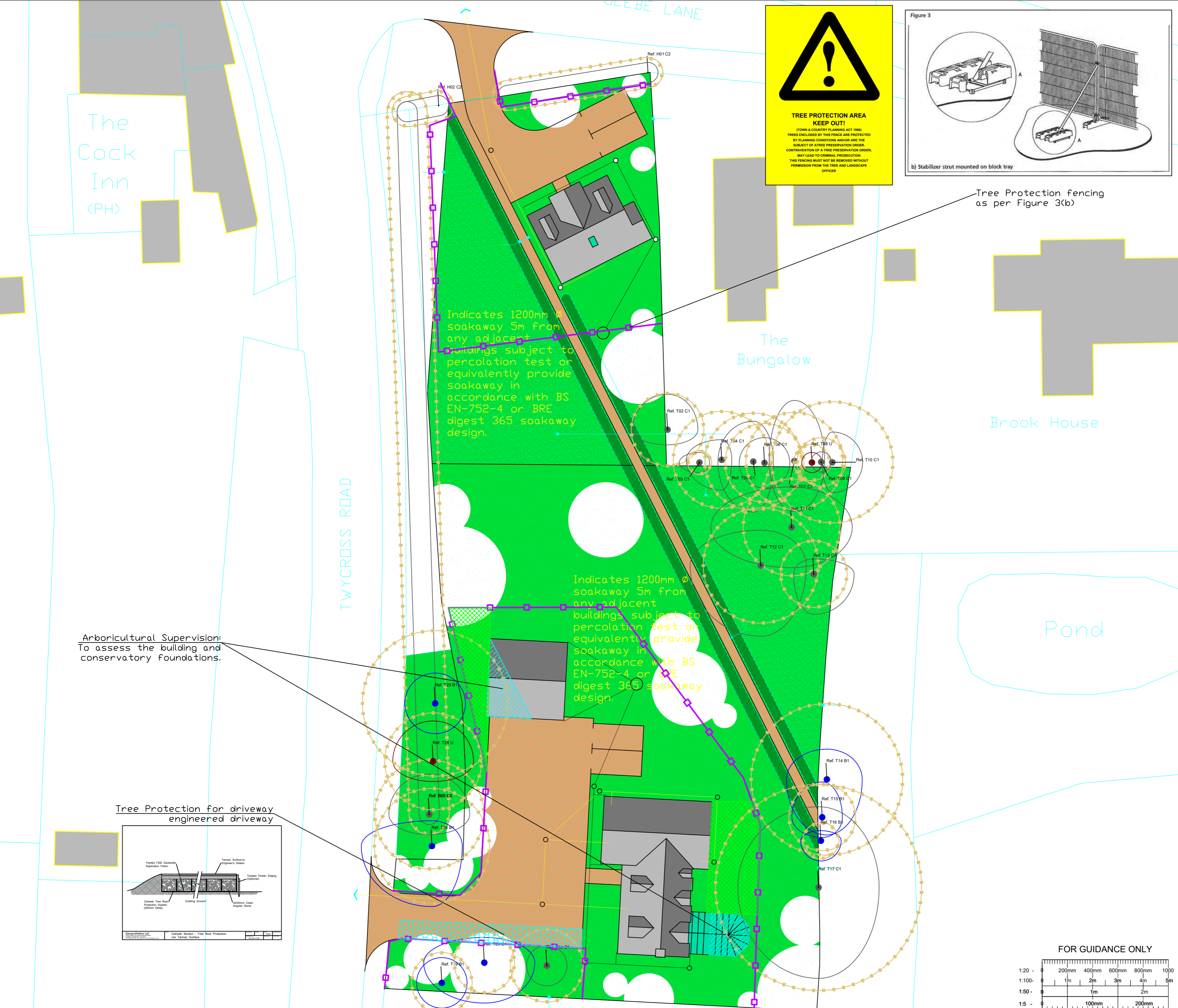
BS5837:2012 Cascade chart for tree quality assessment		
Category & Definition	Criteria (including subcategories where appropriate)	Identification on plan
Category U Trees in such a condition that they cannot realistically be retained as living trees in the context of the current land use for longer than 10 years.	Trees that have a serious, irreversible, structural defect, such that their early loss is expected due to collapse resulting from their own weight, or that they are so severely damaged that their retention is not justified. Includes trees with a high level of decay, or trees that are so severely damaged that their retention is not justified. Includes trees with a high level of decay, or trees that are so severely damaged that their retention is not justified.	Red on plan RGB 127, 0, 0
Category A Trees of high quality with an estimated remaining life expectancy of at least 40 years.	Trees that are particularly good examples of their species, especially if rare or unusual, or those that are essential components of groups or formal or semi-formal architectural features (e.g. the gateway or principal trees within an avenue).	Light Green RGB 0, 127, 0
Category B Trees of moderate quality with an estimated remaining life expectancy of at least 20 years.	Trees that might be included in category A but are damaged because of a particular condition (e.g. presence of significant structural defects, such as a hollow trunk, or trees that are in a higher category with management and storm damage, such that they are unlikely to be retained for beyond 40 years, or trees having the social quality necessary to merit the category A designation).	Mid Green RGB 0, 127, 127
Category C Trees of low quality with an estimated remaining life expectancy of at least 10 years, or young trees with stem diameter below 150 mm.	Irremovable trees of very small size or such important features that they do not qualify in higher categories. Includes trees in groups or woodlands, but without the confidence in their longevity greater than the individual value, and/or trees offering low or only temporary landscape benefits.	Grey RGB 127, 127, 127

KEY

- Tree Root Protection Area
- Tree Categorisation
 - Category A
 - Category B
 - Category C
 - Category U
- Tree Protection
- Storage area
- Contractor Parking
- Machinery Exclusion Zone
- Ground Protection
- Engineered Driveway
- Arboricultural Supervision

Rev	Details	Date	Checked By
Drawing Number		AEL-19354	
Client		Alder Mill	
Project		Mayfield, Sibson	
Title TPP - Tree Protection Plan			
Scale	Date	Drawn	Checked
1:250	16/12/2025	RJH	
Drawing No.	Rev		
	A		

This report is the copyright of Apex Environmental Ltd. Any unauthorised reproduction or usage by any person other than the addressee and LPA is strictly prohibited.



Indicates 1200mm soakaway 5m from any adjacent buildings subject to percolation test or equivalently provide soakaway in accordance with BS EN-752-4 or BRE digest 365 soakaway design.

Indicates 1200mm Ø soakaway 5m from any adjacent buildings subject to percolation test or equivalently provide soakaway in accordance with BS EN-752-4 or BRE digest 365 soakaway design.

Arboricultural Supervision: To assess the building and conservatory foundations.

