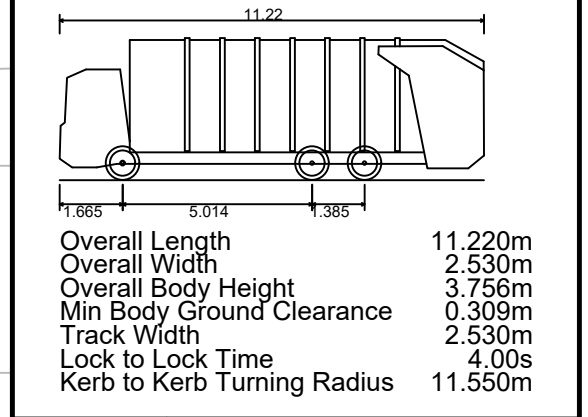


Rev	Details	Drawn	Checked	Date
...	...	...	...	...

- NOTES :**
1. Do not scale from this drawing.
  2. This drawing to be read & printed in colour.
  3. This drawing is for illustrative purposes only, and not for construction.

**PHOENIX 2 DUO RECYCLER  
(P2-15W WITH ELITE 6X4 CHASSIS)**



- FORWARD MOVEMENTS  
(design speed - 5kph)
- REVERSE MOVEMENTS  
(design speed - 2.5kph)

Client  
**Hopedale Children and Family Services Limited**

Project  
**Westfield SEN**

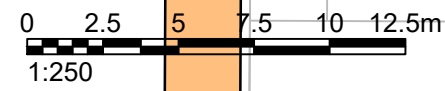
Drawing Title  
**Vehicle Swept Path Analysis  
11.2m Large Refuse Vehicle**

Scale	1:250	Size	A3
Drawn	MG	09.10.25	
Checked	SG	09.10.25	



27 Beak Street  
London  
W1F 9RU  
Tel. No. 0207 1000 753

Drawing Number	2025-5484-TR07	Rev	...
----------------	----------------	-----	-----



NOTE: THE PROPERTY OF THIS DRAWING AND DESIGN IS VESTED IN TTP CONSULTING LTD. IT MUST NOT BE COPIED OR REPRODUCED IN ANY WAY WITHOUT THEIR PRIOR WRITTEN CONSENT. © TTP Consulting. All rights reserved.

2025-5484-TR07 - VSPA 11.2M LARGE REFUSE VEHICLE.DWG