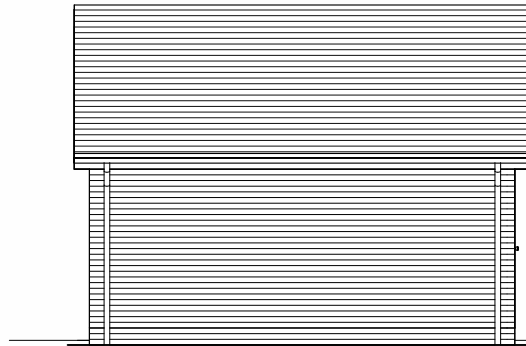




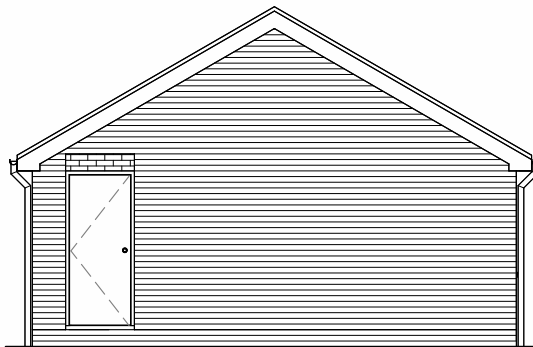
Front Elevation



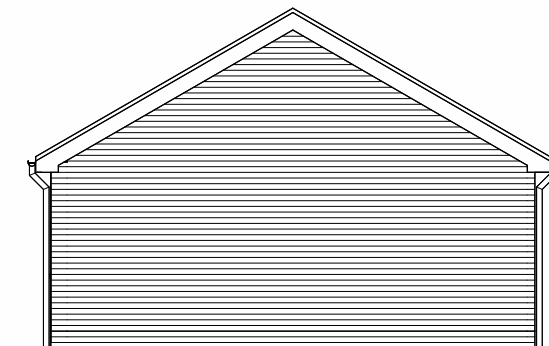
Rear Elevation



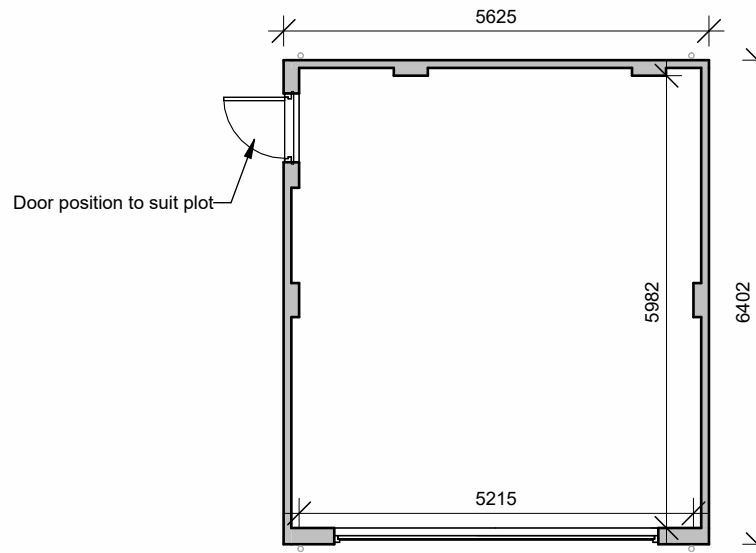
**Double Garage
Plot 1**



Side Elevation



Side Elevation



Floor Plan



19 Station Road
Hinckley
Leicestershire
LE10 1AW

Tel: 01455 635 665
Fax: 01455 618 971

www.hayward-architects.co.uk

Client		
Cartwright Homes		
Project		
Proposed development Main Street, Stoke Golding		
Drawing		
Plans and Elevations		
Scale		
1:100		
Date	Author	Sheet
August 2025	JET	A4
Job No.	Drawing No.	
25-31	HT12	
Drawing Status		
Planning Application		

THE COPYRIGHT OF THIS DRAWING IS VESTED IN HAYWARD ARCHITECTS LTD.
REPRODUCTION IN ANY FORM, EITHER IN WHOLE OR IN PART IS FORBIDDEN
WITHOUT THE PRIOR WRITTEN PERMISSION
OF THE COPYRIGHT HOLDER. DO NOT SCALE FROM DRAWING AND ONLY
FIGURED DIMENSIONS ARE TO BE USED