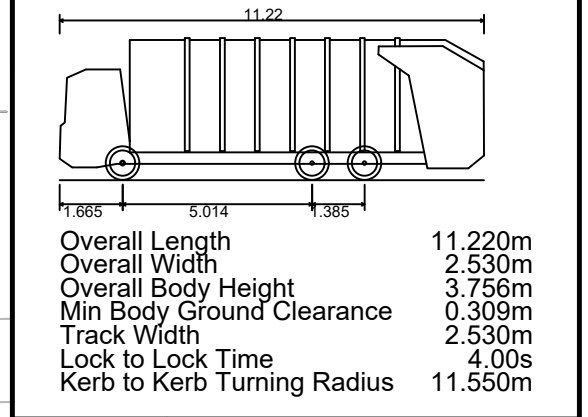


Rev	Details	Drawn	Checked	Date
A	Parking layout revised	MG	SG	10.10.25
B	Site access revised	MG	SG	11.10.25

NOTES :

- Do not scale from this drawing.
- This drawing to be read & printed in colour.
- This drawing is for illustrative purposes only, and not for construction.

**PHOENIX 2 DUO RECYCLER
(P2-15W WITH ELITE 6X4 CHASSIS)**



	FORWARD MOVEMENTS (design speed - 5kph)
	REVERSE MOVEMENTS (design speed - 2.5kph)

Client
Hopedale Children and Family Services Limited

Project
Westfield SEN

Drawing Title
**Vehicle Swept Path Analysis
11.2m Large Refuse Vehicle**

Scale	1:250	Size	A3
Drawn	MG	Checked	09.10.25
Checked	SG	Checked	09.10.25



27 Beak Street
London
W1F 9RU
Tel. No. 0207 1000 753

Drawing Number	2025-5484-TR07	Rev	B
----------------	----------------	-----	---

NOTE: THE PROPERTY OF THIS DRAWING AND DESIGN IS VESTED IN TTP CONSULTING LTD. IT MUST NOT BE COPIED OR REPRODUCED IN ANY WAY WITHOUT THEIR PRIOR WRITTEN CONSENT. © TTP Consulting. All rights reserved.

2025-5484-TR07 - VSPA 11.2M LARGE REFUSE VEHICLE.DWG